



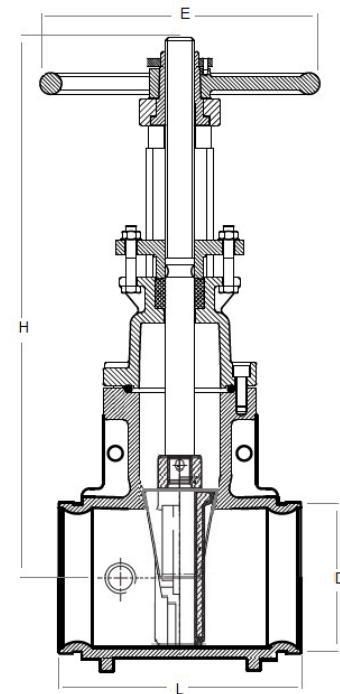
The American AG-3000 Grooved OS&Y (Outside Screw and Yoke) Gate Valve is a reliable and robust valve designed for various industrial applications. This valve complies with the AWWA C515 standard ensuring high-quality performance and adherence to industry standards. It features a heavy-duty handwheel and attachment nut and high-quality graphite.

SPECIFICATIONS

- Complies with AWWA C515 standard
- End Connections: Groove to AWWA C606
- Size Range: Available in sizes ranging from 2.5" to 12"
- Max working pressure: 300PSI (21 bar) /Max testing pressure: 600PSI (42bar)
- Working Temperature: 0°C to 80°C (32°F to 176°F)
- Fusion-bonded epoxy coating inside and outside complying with AWWA C550 standards
- Approvals: UL listed , FM approved

PART LIST

ID	PART	MATERIAL
1	Valve Body	Ductile Iron ASTM A536 65-45-12
2	Resilient Wedge	Ductile Iron ASTM A536/EPDM ASTM D2000
3	Wedge Nut	Stainless Steel 304
4	Dowel Pin	Stainless Steel 304
5	Stem Back Seat O-Ring	EPDM ASTM D2000
6	Bonnet Gasket	EPDM ASTM D2000
7	Bonnet	Ductile Iron ASTM A536
8	Packing	PTFE Graphite
9	Threaded Rod	Stainless Steel 304
10	Gland	Ductile Iron ASTM A536 65-45-12
11	Gland Nut	Stainless Steel 304
12	Yoke	Ductile Iron ASTM A536 65-45-12
13	Handwheel	Ductile Iron ASTM A536 65-45-12
14	Handwheel Nut	C95400 Aluminum Bronze
15	Stem	Stainless Steel 304
16	Bolt	Stainless Steel 304
17	Yoke Screw	C95400 Aluminum Bronze
18	NPT Plug	C95400 Aluminum Bronze



DIMENSIONS

SIZE		L		H OPEN		H CLOSED		E		D	
IN.	MM.	IN.	MM.	IN.	MM.	IN.	MM.	IN.	MM.	IN.	MM.
2.5	65	7.48	190	16.96	431	14.56	370	7.87	200	2.99	76
3	80	7.99	203	18.46	469	16.53	420	7.87	200	3.5	88.9
4	100	9.01	229	21.22	539	17.59	447	10.24	260	4.5	114.3
6	150	10.51	267	28.18	716	23.89	607	12.39	315	6.62	168.3
8	200	11.49	292	36.29	922	29.68	754	14.75	375	8.62	219.1
10	250	12.99	330	44.64	1134	35.03	890	16.37	416	10.74	273
12	300	14.01	356	51.96	1320	40.59	1031	17.51	445	12.75	323.9

WEIGHTS

VALVE SIZE	2.5"	3"	4"	6"	8"	10"	12"
WEIGHT LB (KG)	36.4(16.5)	48.5(22)	57.3(26)	105.8(48)	158.7(72)	240.3(109)	337.3(153)

All information contained herein is supplied by manufacturer and deemed to be accurate. Information is subject to change without notice. Purchaser is responsible for proper installation, use and maintenance of product. American Fire Control USA, LLC. passes on manufacturer's warranty but extends no other warranty. All products sold by American Fire Control USA, LLC. are subject to its full terms and conditions of sales as published and available on request. Any warranty made extends to original purchaser and is not assignable or transferable.

